



PRESSURE REDUCER VALVE

GENERAL FEATURES

The pressure reducing valve are used separately to the building entrances or to each apartment entrance in order to balance the pressure in the system. It is sufficient for the pressure reducing valve to have a value between 3 and 4 bar.

When these valves are in use, putting strainers in front of them will be enough to prevent any damage to this product. In systems where more than one pressure reducing valve is used, It is important that strainers are used at the main entrance of the building.

The water pressure at the back of the valve can be adjusted with the allen wrench heads located on the opposite side of product. Manometer indicator which can be used with product, pressure range 3 bar set at factory settings, but it has 0-6 bar bar settings area.

Application Areas

- City water lines before building water meters
- Water clock at apartment entrance
- Pump and water booster entrance
- In front of devices that need to be protected from high pressure
- At the entrance of the boiler and water heater

Product Material

Body: Brass

Connection:

Threaded

Max. Working Temperature:

90 °C

Max. Working Pressure:

16 bar

Nominal Diameter:

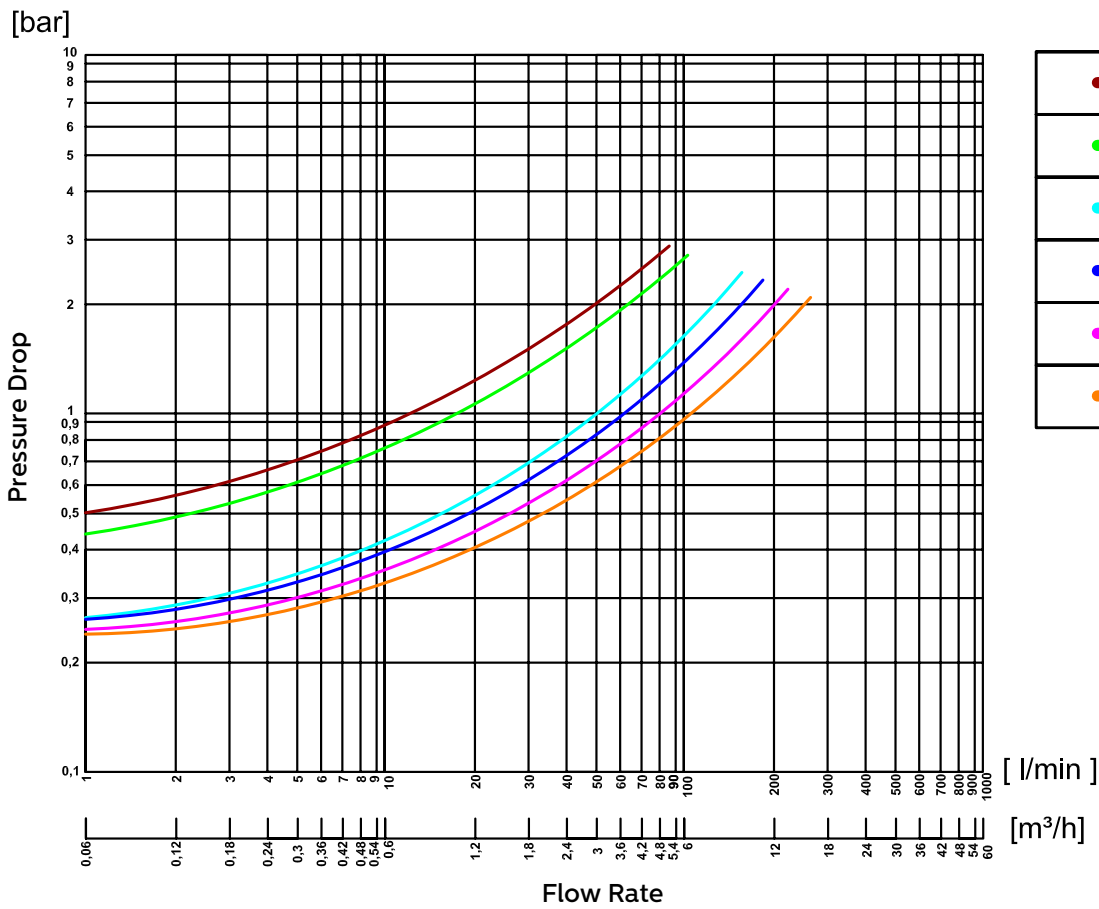
DN15 (1/2") – DN50 (2")

Setting Range for Manometer:

(0,1-6 bar)

Body	Brass
Internal Metal Parts	Brass
Gasket	NBR
Pressure Class	PN16
Max. Working Temp.	90 °C
Max. Inlet Pressure	25 bar
Adj. Pressure Range	0,1-6 bar
Factory Settings	3 bar

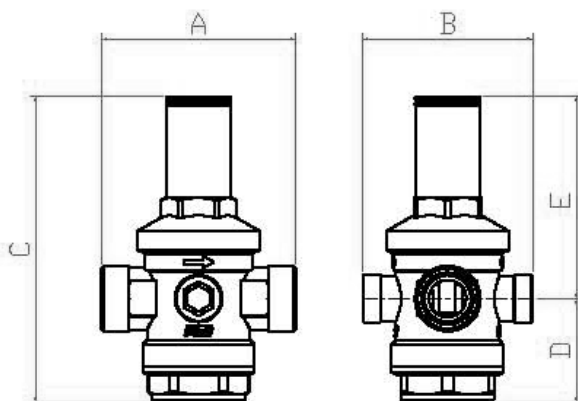
PRESSURE REDUCER VALVE



Dia.	
	1/2"
	3/4"
	1"
	1 1/4"
	1 1/2"
	2"

Pressure Reducing Settings

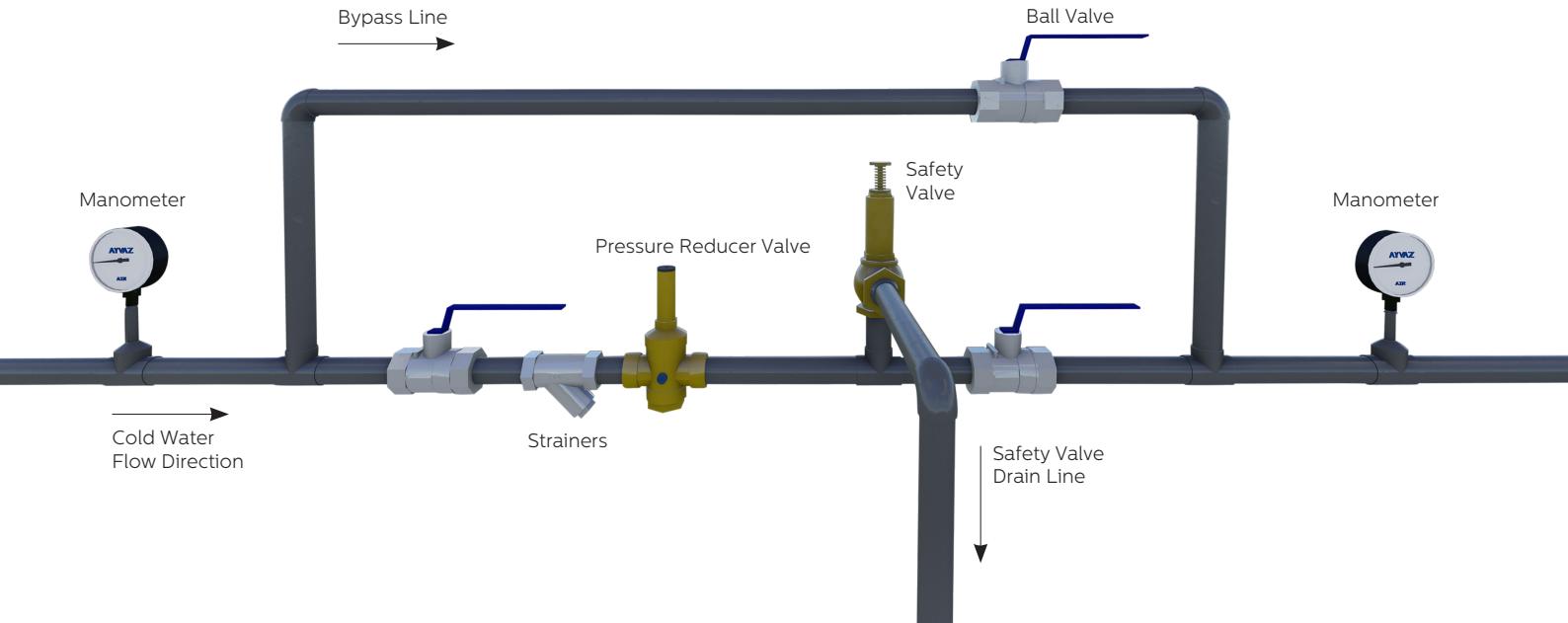
The pressure reducer is manually adjustable. When we compress it with the help of a spanner, the pressure rises. When we turn it to the release direction, the regulator reduces the water pressure.



Dia.	A	B	C	D	E
1/2"	78	68	123	42	81
3/4"	84	68	123	42	81
1"	93	84	148	45	103
1 1/4"	109	84	148	45	103
1 1/2"	122	91	202	60	142
2"	126	91	202	60	142

PRESSURE REDUCER VALVE

3D APPLICATION SAMPLE



You can set the desired outlet pressure from the pressure reducer with the help of allen wrench and you can see the outlet pressure by looking at the manometer.