

Resilient Seated Gate Valve/EN558 Series 14/ PN10 PN16 PN25 Non-Rising Stem For Electric Actuator

Model: GV-RSA-S-14-I

Features

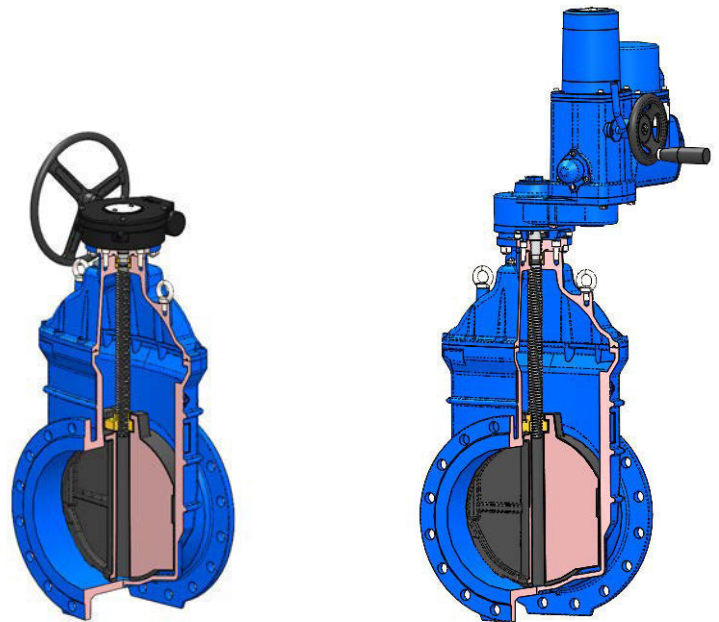
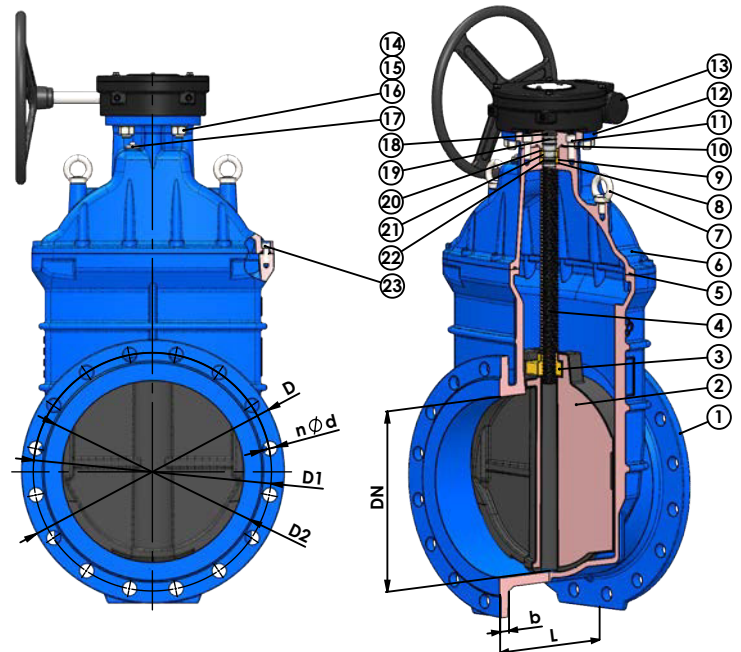
- Stem sealing package with additional third O-ring ensures
- Replaceable O-ring under pressure according to ISO 7259 better water tightness
- Double lead driving thread made by rolling ensures smooth, quick operation and low torque
- Rubber encapsulated wedge providing seat tightness rate A according to EN 12266-1
- Bonnet gasket wrapping each bolt providing better insulation from environment
- Completely free and full bore design ensures self-cleaning and low pressure loss
- Clockwise closing direction non-rising stem
- Fusion bonded epoxy coated inside and outside for the coating units, used to produce heavy-duty corrosion protection for valves and fittings according to DIN 30677-2 and DIN 3476
- Product color: Blue RAL 5005
- Non-alloy steel fasteners made from non-alloy structural steels are with non-electrolytically applied zinc coating according to EN ISO 10683. On request they may be made from electrolytically applied zinc coating according to EN ISO 2081 or EN ISO 4042

Technical Specifications

- Design: EN 1074-1 and 2; EN 1171
- Face to Face: EN 558 / ISO 5752 - 14 base series
- Top flange in acc. to EN ISO 5210 B3
- Flanges: EN 1092-2 PN10/16/25
- Hydraulic test to EN12266-1
- Operating torque test
- Media: Potable water and other non-aggressive fluids
- Nominal pressure designation PN10 PN16/PN25 bar
- Temperature range 0°C...60°C

Optional Extras

- The brand of electric actuator upon request



Option with Gearbox

Option with Electric Actuator

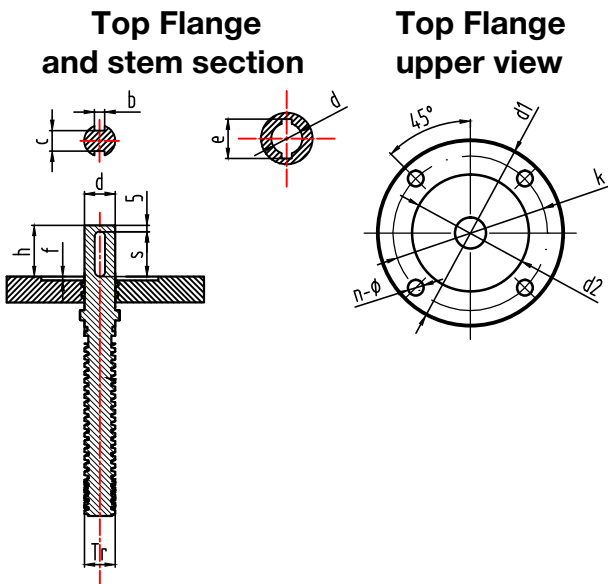
Material Specifications

Item	Part Name	Material	Grade	Item	Part Name	Material	Grade
1	Body	DI	EN-GJS-500-7 (5.3200) EN 1563	14	Bolt	SS	X5CrNi18-10 A2-70 (1.4301) EN ISO 3506-1 EN ISO 4017 8.8 (DIN 933 A2/A4)
2	Wedge	DI+Rubber	EN-GJS-500-7 (5.3200) EN 1563 + EPDM EN 681-1	15	Nut	SS	X5CrNi18-10 A2 (1.4301) EN ISO 3506-1 EN ISO 4032 8.8 (DIN 934 A2/A4)
3	Wedge nut	Brass	CuZn36Pb2As (CW602N) EN 12167	16	Washer	SS	X5CrNi18-10 A2 (1.4301) EN ISO 3506-1 EN ISO 7089 (DIN 125 A2/A4)
4	Stem	SS	X20Cr13 (1.4021) EN10088-3	17	Drainage plug	CS Zn plated	S235JR Zink coated (1.0038) EN 10025-2
5	Gasket	Rubber	EPDM EN 681-1	18	Dust guard	Rubber	NBR EN 681-1
6	Bonnet	DI	EN-GJS-500-7 (5.3200) EN 1563	19	O-rings	Rubber	EPDM EN 681-1
7	Eyebolt	Constr. Steel	C15E (1.1141) EN 10084 EN ISO 3266	20	Semi collar	Brass	CuZn39Pb1 (CW611N) EN 12167
8	O-ring	Rubber	EPDM EN 681-1	21	Support ring	Brass	CuZn39Pb1 (CW611N) EN 12167
9	O-ring bayonet	Brass	CuZn39Pb1 (CW611N) EN 12167	22	O-ring	Rubber	EPDM EN 681-1
10	O-ring	Rubber	EPDM EN 681-1	23	Bolt	CS Zn plated	S235JR Zink coated (1.0038) EN 10025-2 EN ISO 4762 8.8 (DIN 912)
11	Bolt	SS	X5CrNi18-10 A2-70 (1.4301) EN ISO 3506-1 EN ISO 4017 8.8 (DIN 933 A2/A4)			SS (on request)	X5CrNi18-10 A2 (1.4301) EN ISO 3506-1 EN ISO 4014 8.8 (DIN 931 A2/A4)
12	Top Flange	DI	EN-GJS-500-7 (5.3200) EN 1563				
13	Gearbox	DI	EN-GJS-500-7 (5.3200) EN 1563				

Wato Products specifications in this catalogue are provided for reference only. For precise measurements, please contact Wato Technical Service. Wato reserve the right to or modify product design, construction, specifications, or materials without prior notice and without incurring any obligation to make such changes and modifications on Wato products previously or subsequently sold. All materials that are in this catalogue are owned by Wato and can not be used without permission. Wato reserves the right to take legal action against such an act.

Resilient Seated Gate Valve/EN558 Series 14/ PN10 PN16 PN25 Non-Rising Stem For Electric Actuator

Model: GV-RSA-S-14-I



Dimensions top flange and stem

Size	d1	k	n-Ød	d2	f	d	h	s	b	c	e	Tr
DN40	125	102	4-Ø12	71	3	Ø18	40	35	6	11	23.6	Tr18x8(P4) LH
DN50	125	102	4-Ø12	71	3	Ø18	40	35	6	11	23.6	Tr18x8(P4) LH
DN65	125	102	4-Ø12	71	3	Ø21	40	35	6	14	26.6	Tr21x8(P4) LH
DN80	125	102	4-Ø12	71	3	Ø21	40	35	6	14	26.6	Tr21x8(P4) LH
DN100	125	102	4-Ø12	71	3	Ø24	40	35	8	16	30.6	Tr24x10(P5) LH
DN125	150	125	4-Ø12	88	3	Ø26	40	35	8	18	32.6	Tr26x10(P5) LH
DN150	150	125	4-Ø12	88	3	Ø26	40	35	8	18	32.6	Tr26x10(P5) LH
DN200	150	125	4-Ø12	88	3	Ø32	40	35	10	22	38.6	Tr32x12(P6) LH
DN250	175	140	4-Ø14	101	4	Ø34	45	40	10	24	40.6	Tr34x12(P6) LH
DN300	175	140	4-Ø14	101	4	Ø34	45	40	10	24	40.6	Tr34x12(P6) LH
DN350	175	140	4-Ø14	101	4	Ø34	45	40	10	24	42.6	Tr40x12(P6) LH
DN400	210	165	4-Ø22	131	6	Ø36	60	55	10	26	42.6	Tr40x12(P6) LH
DN450	210	165	4-Ø22	131	6	Ø36	60	55	10	26	42.6	Tr46x16(P8) LH
DN500	210	165	4-Ø22	131	6	Ø36	60	55	10	26	42.6	Tr46x16(P8) LH
DN600	300	254	8-Ø18	201	6	Ø42	70	65	12	32	46.6	Tr55x18(P9) LH

Dimensions

Size	L	D			D1			D2			b			n-Ød			H	Gland Type	No. of turns to close	Closing Torque (N.m)	
		PN10	PN16	PN25	PN10	PN16	PN25	PN10	PN16	PN25	PN10	PN16	PN25	PN10	PN16	PN25				PN10/16	PN25
DN40	140	150	150	150	110	110	110	84	84	84	19	19	19	4-Ø19	4-Ø19	4-Ø19	160	F10	9	30	40
DN50	150	165	165	165	125	125	125	99	99	99	19	19	19	4-Ø19	4-Ø19	4-Ø19	160	F10	9	30	50
DN65	170	185	185	185	145	145	145	118	118	118	19	19	19	4-Ø19	4-Ø19	8-Ø19	190	F10	10	35	60
DN80	180	200	200	200	160	160	160	132	132	132	19	19	19	8-Ø19	8-Ø19	8-Ø19	210	F10	12	35	70
DN100	190	220	220	235	180	180	190	156	156	156	19	19	19	8-Ø19	8-Ø19	8-Ø23	250	F10	12	40	80
DN125	200	250	250	270	210	210	220	184	184	184	19	19	19	8-Ø19	8-Ø19	8-Ø28	290	F12	14.5	65	100
DN150	210	285	285	300	240	240	250	211	211	211	19	19	20	8-Ø23	8-Ø23	8-Ø28	330	F12	17	80	120
DN200	230	340	340	360	295	295	310	266	266	274	20	20	22	8-Ø23	12-Ø23	12-Ø28	420	F12	18.5	120	160
DN250	250	395	405	425	350	355	370	319	319	330	22	22	24.5	12-Ø23	12-Ø28	12-Ø31	515	F14	23	180	200
DN300	270	445	460	485	400	410	430	370	370	389	24.5	24.5	27.5	12-Ø23	12-Ø28	16-Ø31	595	F14	27	220	240
DN350	290	505	520	-	460	470	-	429	429	-	24.5	26.5	-	16-Ø23	16-Ø28	-	700	F14	30.5	250	-
DN400	310	565	580	-	515	525	-	480	480	-	24.5	28	-	16-Ø28	16-Ø31	-	785	F16	34.5	300	-
DN450	330	615	640	-	565	585	-	530	548	-	25.5	30	-	20-Ø28	20-Ø31	-	900	F16	28	325	-
DN500	350	670	715	-	620	650	-	562	609	-	26.5	31.5	-	20-Ø28	20-Ø34	-	950	F16	32.5	350	-
DN600	390	780	840	-	725	770	-	682	720	-	30	36	-	20-Ø31	20-Ø37	-	1155	F25	34.5	400	-

Resilient Seated Gate Valve/EN558 Series 15/ PN10 PN16 PN25 Non-Rising Stem For Electric Actuator

Model: GV-RSA-S-15-I

Features

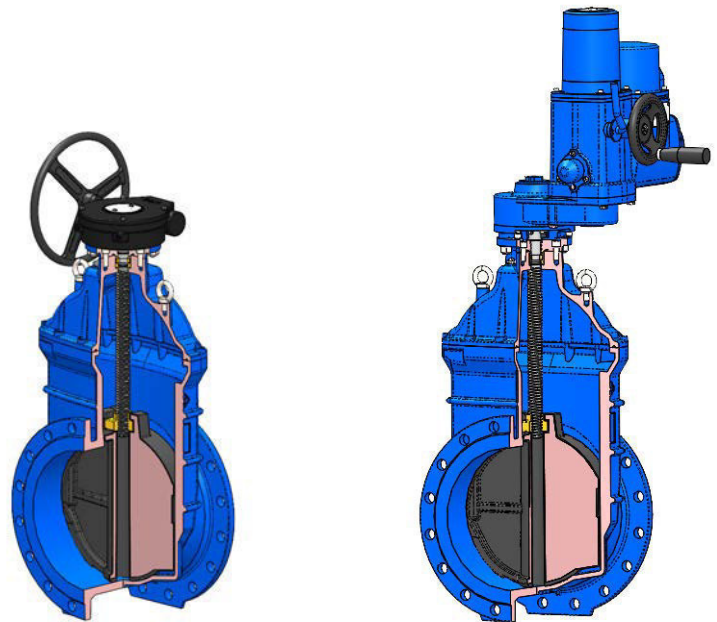
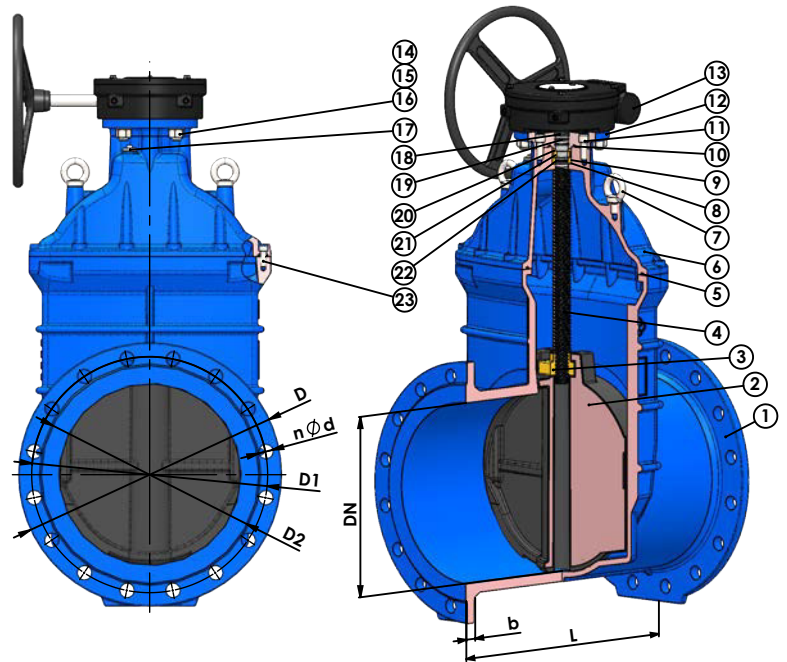
- Stem sealing package with additional third O-ring ensure
- Replaceable O-ring under pressure according to ISO 7259 better water tightness
- Double lead driving thread made by rolling ensures smooth, quick operation and low torque
- Rubber encapsulated wedge providing seat tightness rate A according to EN 12266-1
- Bonnet gasket wrapping each bolt providing better insulation from environment
- Completely free and full bore design ensures self-cleaning and low pressure loss
- Clockwise closing direction non-rising stem
- Fusion bonded epoxy coated inside and outside for the coating units, used to produce heavy-duty corrosion protection for valves and fittings according to DIN 30677-2 and DIN 3476
- Product color: Blue RAL 5005
- Non-alloy steel fasteners made from non-alloy structural steels are with non-electrolytically applied zinc coating according to EN ISO 10683. On request they may be made from electrolytically applied zinc coating according to EN ISO 2081 or EN ISO 4042

Technical Specifications

- Design: EN 1074-1 and 2; EN 1171
- Face to Face: EN 558 / ISO 5752 - 15 base series
- Top flange in acc. to EN ISO 5210 B3
- Flanges: EN 1092-2 PN10/16/25
- Hydraulic test to EN12266-1
- Operating torque test
- Media: Potable water and other non-aggressive fluids
- Nominal pressure designation PN10 PN16/PN25 bar
- Temperature range 0°C...60°C

Optional Extras

- The brand of electric actuator upon request



Option with Gearbox

Option with Electric Actuator

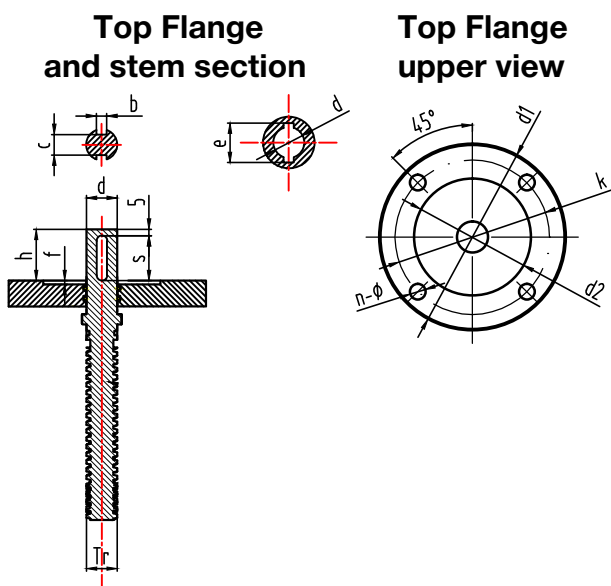
Material Specifications

Item	Part Name	Material	Grade	Item	Part Name	Material	Grade
1	Body	DI	EN-GJS-500-7 (5.3200) EN 1563	14	Bolt	SS	X5CrNi18-10 A2-70 (1.4301) EN ISO 3506-1 EN ISO 4017 8.8 (DIN 933 A2/A4)
2	Wedge	DI+Rubber	EN-GJS-500-7 (5.3200) EN 1563 + EPDM EN 681-1	15	Nut	SS	X5CrNi18-10 A2 (1.4301) EN ISO 3506-1 EN ISO 4032 8.8 (DIN 934 A2/A4)
3	Wedge nut	Brass	CuZn36Pb2As (CW602N) EN 12167	16	Washer	SS	X5CrNi18-10 A2 (1.4301) EN ISO 3506-1 EN ISO 7089 (DIN 125 A2/A4)
4	Stem	SS	X20Cr13 (1.4021) EN10088-3	17	Drainage plug	CS Zn plated	S235JR Zink coated (1.0038) EN 10025-2
5	Gasket	Rubber	EPDM EN 681-1	18	Dust guard	Rubber	NBR EN 681-1
6	Bonnet	DI	EN-GJS-500-7 (5.3200) EN 1563	19	O-rings	Rubber	EPDM EN 681-1
7	Eyebolt	Constr. Steel	C15E (1.1141) EN 10084 EN ISO 3266	20	Semi collar	Brass	CuZn39Pb1 (CW611N) EN 12167
8	O-ring	Rubber	EPDM EN 681-1	21	Support ring	Brass	CuZn39Pb1 (CW611N) EN 12167
9	O-ring bayonet	Brass	CuZn39Pb1 (CW611N) EN 12167	22	O-ring	Rubber	EPDM EN 681-1
10	O-ring	Rubber	EPDM EN 681-1	23	Bolt	CS Zn plated	S235JR Zink coated (1.0038) EN 10025-2 EN ISO 4762 8.8 (DIN 912)
11	Bolt	SS	X5CrNi18-10 A2-70 (1.4301) EN ISO 3506-1 EN ISO 4017 8.8 (DIN 933 A2/A4)			SS (on request)	X5CrNi18-10 A2 (1.4301) EN ISO 3506-1 EN ISO 4014 8.8 (DIN 931 A2/A4)
12	Top Flange	DI	EN-GJS-500-7 (5.3200) EN 1563				
13	Gearbox	DI	EN-GJS-500-7 (5.3200) EN 1563				

Wato Products specifications in this catalogue are provided for reference only. For precise measurements, please contact Wato Technical Service. Wato reserve the right to or modify product design, construction, specifications, or materials without prior notice and without incurring any obligation to make such changes and modifications on Wato products previously or subsequently sold. All materials that are in this catalogue are owned by Wato and can not be used without permission. Wato reserves the right to take legal action against such an act.

Resilient Seated Gate Valve/EN558 Series 15/ PN10 PN16 PN25 Non-Rising Stem For Electric Actuator

Model: GV-RSA-S-15-I



Dimensions top flange and stem

Size	d1	k	n-Ød	d2	f	d	h	s	b	c	e	Tr
DN40	125	102	4-Ø12	71	3	Ø18	40	35	6	11	23.6	Tr18x8(P4) LH
DN50	125	102	4-Ø12	71	3	Ø18	40	35	6	11	23.6	Tr18x8(P4) LH
DN65	125	102	4-Ø12	71	3	Ø21	40	35	6	14	26.6	Tr21x8(P4) LH
DN80	125	102	4-Ø12	71	3	Ø21	40	35	6	14	26.6	Tr21x8(P4) LH
DN100	125	102	4-Ø12	71	3	Ø24	40	35	8	16	30.6	Tr24x10(P5) LH
DN125	150	125	4-Ø12	88	3	Ø26	40	35	8	18	32.6	Tr26x10(P5) LH
DN150	150	125	4-Ø12	88	3	Ø26	40	35	8	18	32.6	Tr26x10(P5) LH
DN200	150	125	4-Ø12	88	3	Ø32	40	35	10	22	38.6	Tr32x12(P6) LH
DN250	175	140	4-Ø14	101	4	Ø34	45	40	10	24	40.6	Tr34x12(P6) LH
DN300	175	140	4-Ø14	101	4	Ø34	45	40	10	24	40.6	Tr34x12(P6) LH
DN350	175	140	4-Ø14	101	4	Ø34	45	40	10	24	42.6	Tr40x12(P6) LH
DN400	210	165	4-Ø22	131	6	Ø36	60	55	10	26	42.6	Tr40x12(P6) LH
DN450	210	165	4-Ø22	131	6	Ø36	60	55	10	26	42.6	Tr46x16(P8) LH
DN500	210	165	4-Ø22	131	6	Ø36	60	55	10	26	42.6	Tr46x16(P8) LH
DN600	300	254	8-Ø18	201	6	Ø42	70	65	12	32	46.6	Tr55x18(P9) LH

Dimensions

Size	L	D			D1			D2			b			n-Ød			H	Gland Type	No. of turns to close	Closing Torque (N.m)	
		PN10	PN16	PN25	PN10	PN16	PN25	PN10	PN16	PN25	PN10	PN16	PN25	PN10	PN16	PN25				PN10/16	PN25
DN40	240	150	150	150	110	110	110	84	84	84	19	19	19	4-Ø19	4-Ø19	4-Ø19	160	F10	9	30	40
DN50	250	165	165	165	125	125	125	99	99	99	19	19	19	4-Ø19	4-Ø19	4-Ø19	160	F10	9	30	50
DN65	270	185	185	185	145	145	145	118	118	118	19	19	19	4-Ø19	4-Ø19	8-Ø19	190	F10	10	35	60
DN80	280	200	200	200	160	160	160	132	132	132	19	19	19	8-Ø19	8-Ø19	8-Ø19	210	F10	12	35	70
DN100	300	220	220	235	180	180	190	156	156	156	19	19	19	8-Ø19	8-Ø19	8-Ø23	250	F10	12	40	80
DN125	325	250	250	270	210	210	220	184	184	184	19	19	19	8-Ø19	8-Ø19	8-Ø28	290	F12	14.5	65	100
DN150	350	285	285	300	240	240	250	211	211	211	19	19	20	8-Ø23	8-Ø23	8-Ø28	330	F12	17	80	120
DN200	400	340	340	360	295	295	310	266	266	274	20	20	22	8-Ø23	12-Ø23	12-Ø28	420	F12	18.5	120	160
DN250	450	395	405	425	350	355	370	319	319	330	22	22	24.5	12-Ø23	12-Ø28	12-Ø31	515	F14	23	180	200
DN300	500	445	460	485	400	410	430	370	370	389	24.5	24.5	27.5	12-Ø23	12-Ø28	16-Ø31	595	F14	27	220	240
DN350	550	505	520	-	460	470	-	429	429	-	24.5	26.5	-	16-Ø23	16-Ø28	-	700	F14	30.5	250	-
DN400	600	565	580	-	515	525	-	480	480	-	24.5	28	-	16-Ø28	16-Ø31	-	785	F16	34.5	300	-
DN450	650	615	640	-	565	585	-	530	548	-	25.5	30	-	20-Ø28	20-Ø31	-	900	F16	28	325	-
DN500	700	670	715	-	620	650	-	562	609	-	26.5	31.5	-	20-Ø28	20-Ø34	-	950	F16	32.5	350	-
DN600	800	780	840	-	725	770	-	682	720	-	30	36	-	20-Ø31	20-Ø37	-	1155	F25	34.5	400	-