



TKK-61

THERMOSTATIC STEAM TRAP

AIR ELIMINATOR IN STEAM LINES

GENERAL FEATURES

Thermostatic air eliminators operate according to the thermostatic attitude of a capsule which is placed into the trap.

Capsule contains a special liquid inside which has lower vapourisation temperature than water.

Installation

TKK-61 can be installed both vertically and horizontally with the pipeline. Flow direction indicator arrow on the product body should be examined carefully.

In case discharging of air into the atmosphere, temperature of the released air which is more than 100°C must be considered closely in order to maintain health and safety.

Connection:
Threaded

Dimension: DN15 (1/2")

Max. Allowable Pressure: 13bar
Max. Allowable Temperature: 200 °C

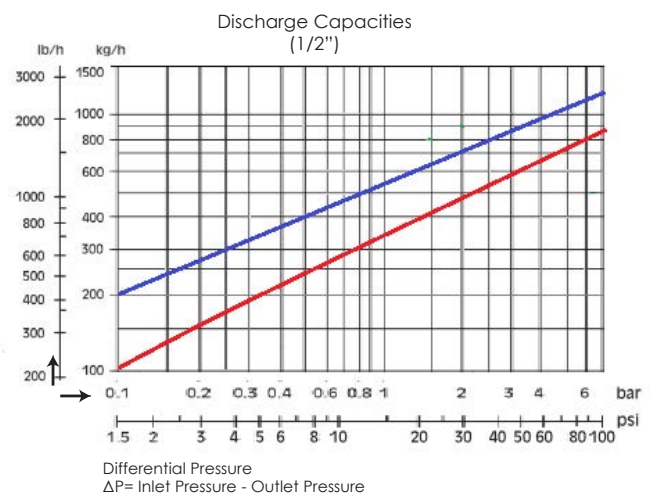
Applications:

- Press
- Radiator
- Steam Seperator*
- Main Steam Line End App.*
- Steam Collector *
- Cooking Boiler

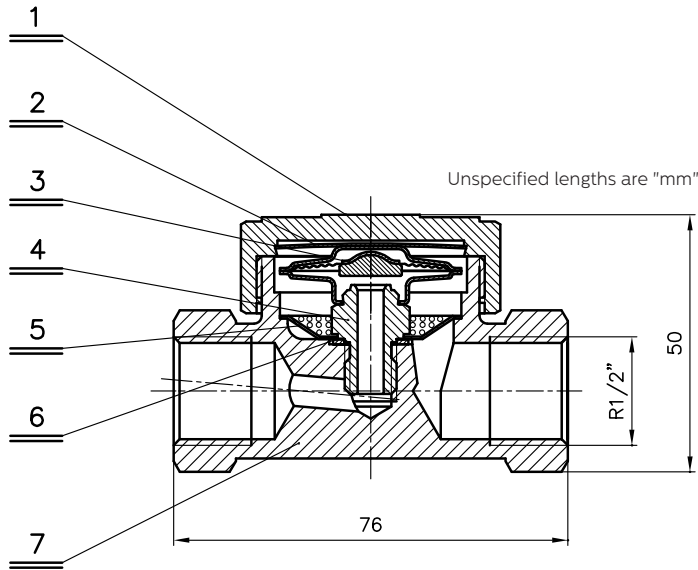
*TKK-61 is installed to this applications above is only for draining into air elimination.

Red Chart
 Δp = Condansate Discharge at the temperature which is 10°C lower than steam saturation temperature.

Blue Chart
 Δp = Cold Condansate / Air Discharge at 20°C.



TKK-61 THERMOSTATIC STEAM TRAP / AIR ELIMINATOR IN STEAM LINES



MATERIALS		
1	Cover	MS 56
2	Press Spring	AISI 304
3	Thermostatic Capsule	Hastelloy
4	Seat	AISI 304
5	Filter	AISI 304
6	Seat Gasket	AISI 304
7	Body	MS 56

