

TKK-21

THERMOSTATIC STEAM TRAP

GENERAL FEATURES

Ayvaz TKK-2Y 's capsule follows the steam curves with constantly and it helps to drain condensate and non condensable gases. The resistance of the thermostatic trap, which is not affected by the water hammer, is also highly resistant to corrosion.

TKK-21 type strainer is under the cover.

For cleaning, opening the cover on the body is sufficient. Like all Ayvaz thermostatic traps, the TKK-21 product also includes one of three different capsules, depending on the application conditions. "S" type capsules are used in standard productions. The entire trap can be supplied as a spare part. At the same time, the ball inside the seat acts as a check valve at the high back pressure in the system, preventing the condensate from mixing into the steam line.

The difference of TKK 21 from other Ayvaz thermostatic traps is that its dimensions and condensate discharge capacity are low. Especially designed for irons.

Ayvaz TKK-21 Thermostatic Traps can be connected to the pipeline in every position for efficient and long-term operation. Proper isolation valves must be installed to ensure the maintenance and replacement of the trap is safe.

Product Material:

Body and Cover: Forged Steel
Inlet Parts: AISI 304 Stainless Steel

Connection:

Threaded and Socket

Nominal Diameter:

DN10 (3/8") – DN15 (1/2")

Pressure Value:

Max. 32 bar

Working Temp.:

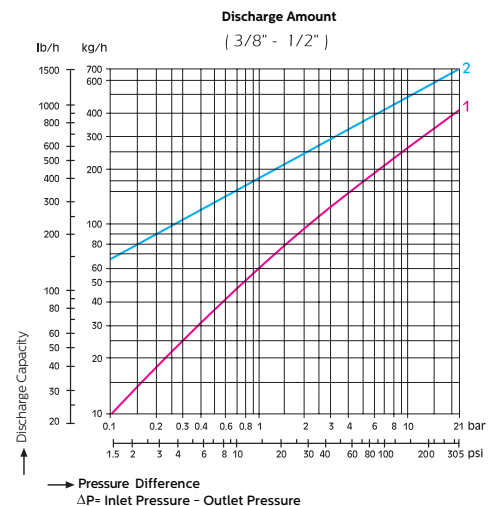
Max. Working Temp. 250 °C

Applications:

- Steam Jacket Pipes
- Irons

Installation

The thermostatic steam trap, which can work in each position, can be connected to the pipeline at each position.



Red Chart

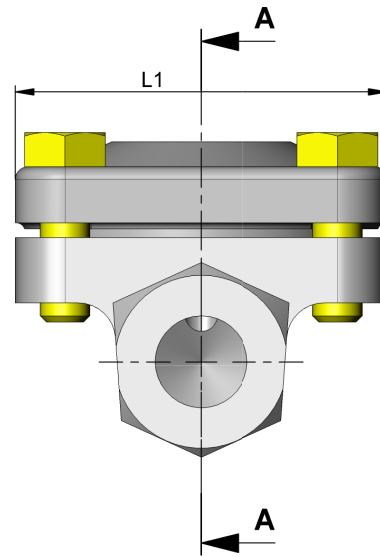
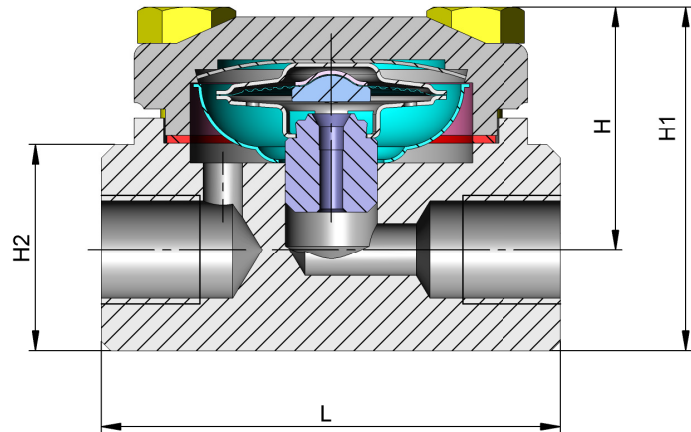
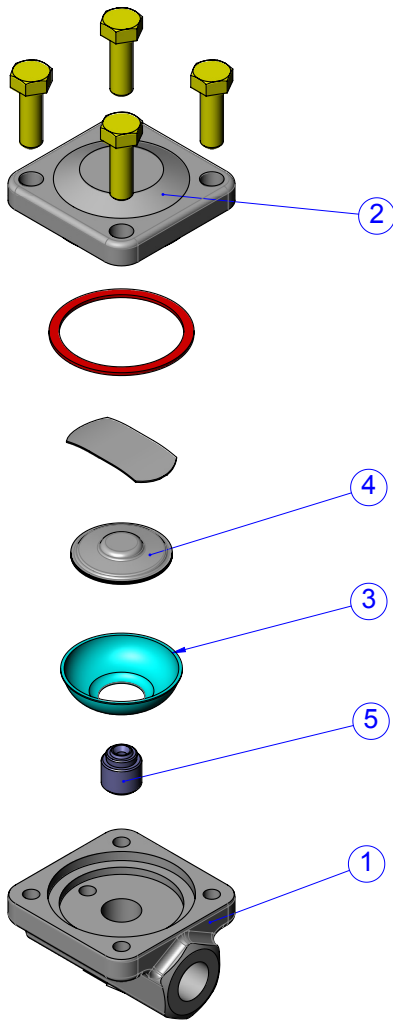
Steam saturation temperature max. 10 °C below the condensate drain;

Blue Chart

Cold condensate drain at 20 °C

TECHNICAL SPECIFICATIONS			
Connect. Type	Flanged	Threaded	Weld. End
Dia.(mm)		3/8"-1/2"	
Weight(kg)		0,7-0,7	

TKK-21 THERMOSTATIC STEAM TRAP



DIMENSIONS (mm)					
Dia.	H	H1	H2	L	L1
15	35	50	27	70	60
20	35	50	27	70	60

SPARE PARTS		
No	Part	Material
1	Body	Forged Steel
2	Cover	Forged Steel
3	Filter	Stainless Steel
4	Thermostatic Capsule	Hastelloy & Stainless Steel
5	Seat	Stainless Steel
6	Cover Bolts	DIN 40 CrMoV4 7



HEAD OFFICE - FACTORY

Atatürk Sanayi Bölgesi Hadımköy Mahallesi Mustafa İnan Caddesi No: 44 Arnavutköy - İSTANBUL
 Tel: +90 212 771 01 45 (pbx) | Fax: +90 212 771 47 27
 info@ayvaz.com | www.ayvaz.com

Cona
Caserta/Italy
 Tel: +39 0823 187 3988
 rmolaro@ayvaz.com

Ayvaz Germany
Ningbo/China
 Tel: +49 62046014399
 germany@ayvaz.com

Ayvaz Ukraine
Kiev/Ukraine
 Tel: +380 44 390 57 57
 info@ayvaz.com.ua

Tricorr
Warsaw/Poland
 Tel: +48 530 030 810
 +48 533 603 335
 tricorr@tricorr.eu

Ayvaz Azerbaijan
Baku/Azerbaijan
 Tel: +99 (455) 579-84-32
 ahayatov@ayvaz.com

Ayvaz Egypt
Cairo/Egypt
 Tel: +20 122 819 78 29
 andrew.eid@ayvaz.com

Ayvaz Gulf
Dubai/U.A.E
 Tel: +971 563550822
 +971 501306871
 mideast@ayvaz.com

Ayvaz China
Ningbo/China
 Tel: +86 152 5830 7361
 msahin@ayvaz.com

Ayvaz Kazakhstan LLP
Almaty/Kazakhstan
 Tel: +7 (727) 327 97 57
 info_kz@ayvaz.com

Ayvaz N
Ispirih/Bulgaria
 Tel: +359 8431 27 32
 office@ayvaz-n.eu

Ayvaz Serbia
Belgrade/Serbia
 Tel: +381 61 658 70 52
 yakbiyik@ayvaz.com

Ayvaz Vietnam
HCMC/Vietnam
 ggursoy@ayvaz.com
 Tel: +84 89 8508345

Ayvaz Americas
Rhode Island/USA
 Tel: +1 401 737 8380
 americas@ayvaz.com